

Product: TABLE

Plombier table has a tube-shaped structure with links normally used by plumbers. Tubes diameters are 50 - 30 - 20 mm. The cables pass through the 50 mm leg tube up to the top access.

Tops are made in wooden planks vintage Oak veneer, thickness ranging from 36 to 75 mm. Thanks to its home-style, it is suitable for Coffice, meeting areas and sharing areas. *Plombier* range of products is composed by stools, benches and H105 tables.

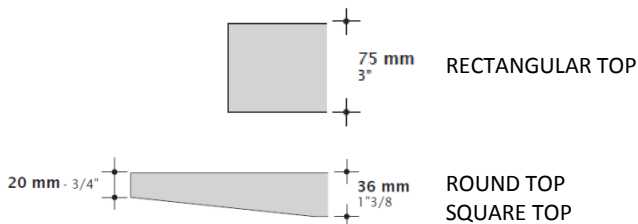


TECHNICAL FEATURES

Tops: the tops are made of veneer or vintage Oak wooden planks.

Linear top 75 mm thick for rectangular tables (item PH20, PH21, PH25).

Increasing thickness top from 20 mm to 36 mm for round and square tables (item PH50, PH52).



Structure: tubular elements in varnished metal.

FINISHES

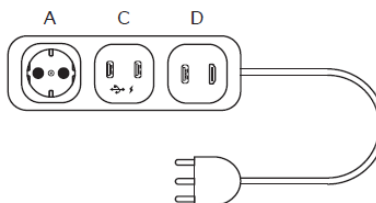
Top:

Veneer: Natural Oak 2016, Dyed Oak, White Colour Fir.

Vintage Oak wooden planks.

Structure: matt or glossy White Snow, matt Titanio, matt Carbon Glacè powder coated metal.

TYPE 5

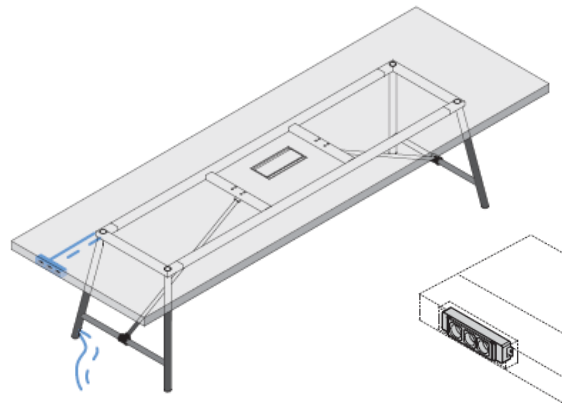
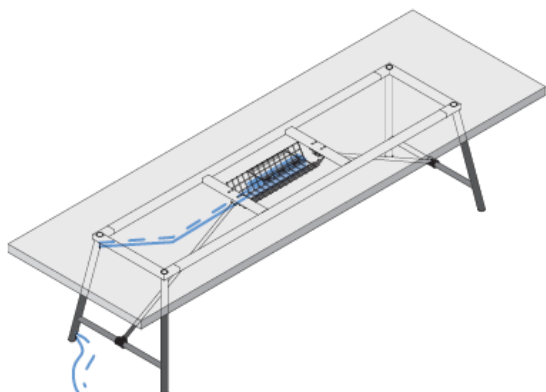


A - Schuko - UE socket

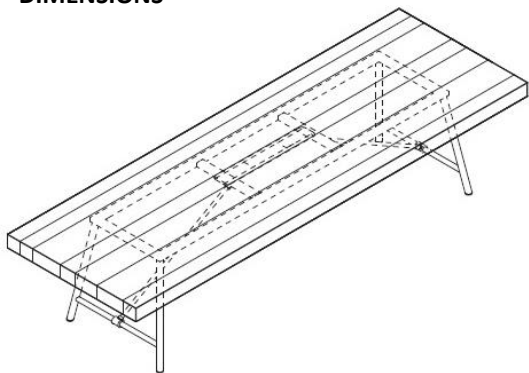
C - n° 2 USB charger socket 5V

D - n°1 HDMI socket (video) + n°1 USB socket

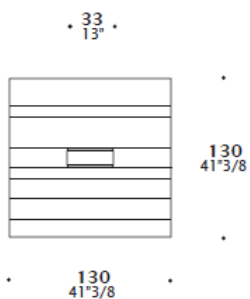
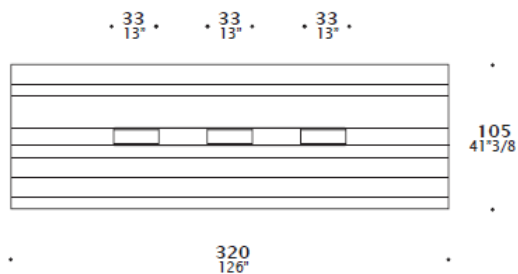
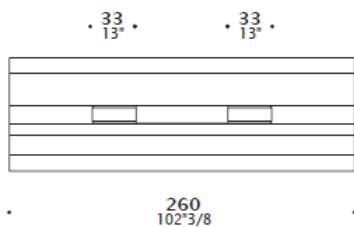
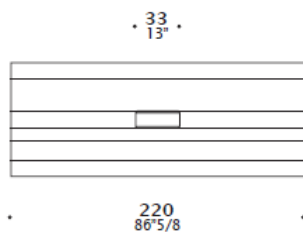
ELECTRIFICATION



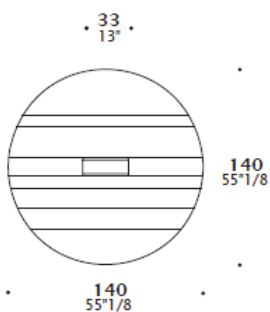
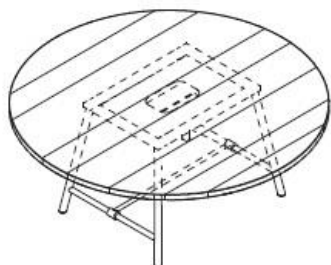
DIMENSIONS



RECTANGULAR TABLE H75 cm
Available dimensions and top access positioning.



SQUARE TABLE H75 cm
Available dimensions and top access positioning.



ROUND TABLE H75 cm
Available dimensions and top access positioning.